

ASSEMBLY INSTRUCTIONS

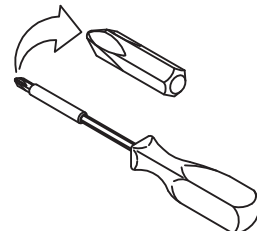
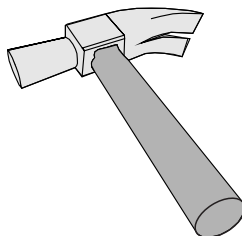
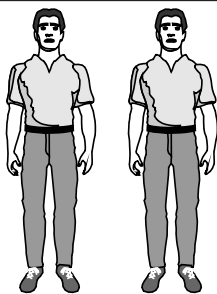
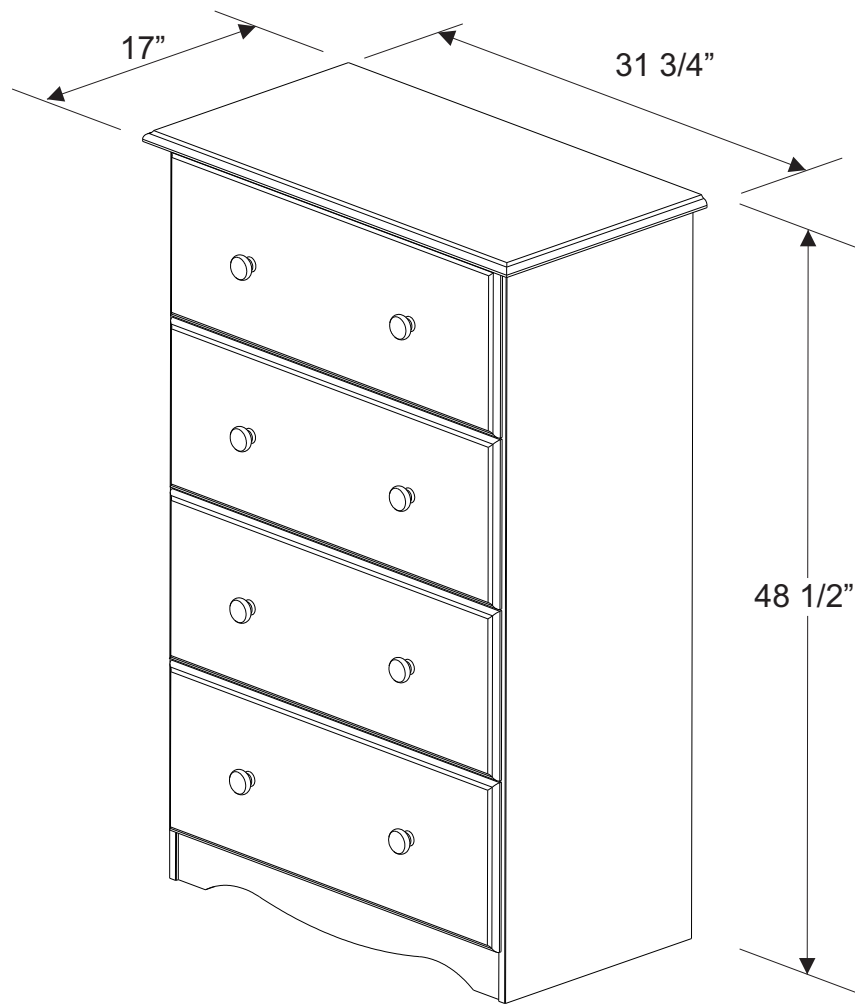
4 DRAWER SUPER JUMBO CHEST

Ref. 5341 - Whitewash





Ref. 5342 - Mahogany

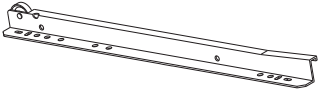
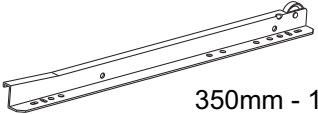
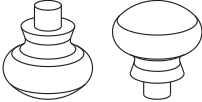
Ref. 5344 - Honey Pine

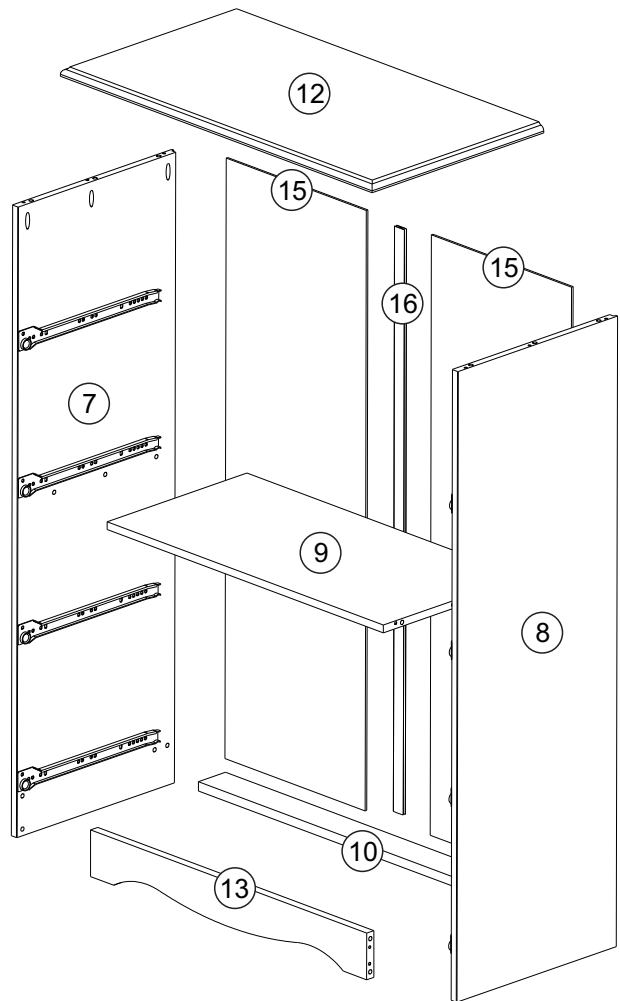
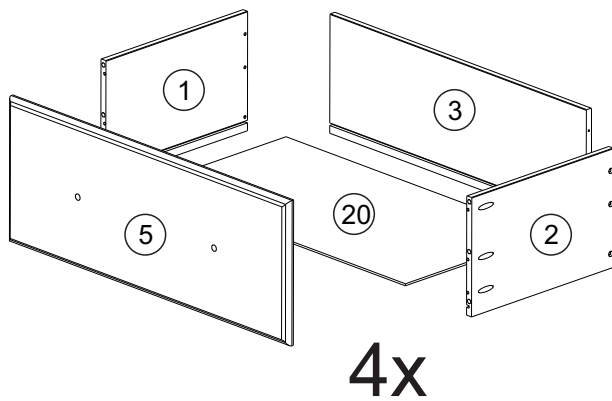
Ref. 5346 - Java



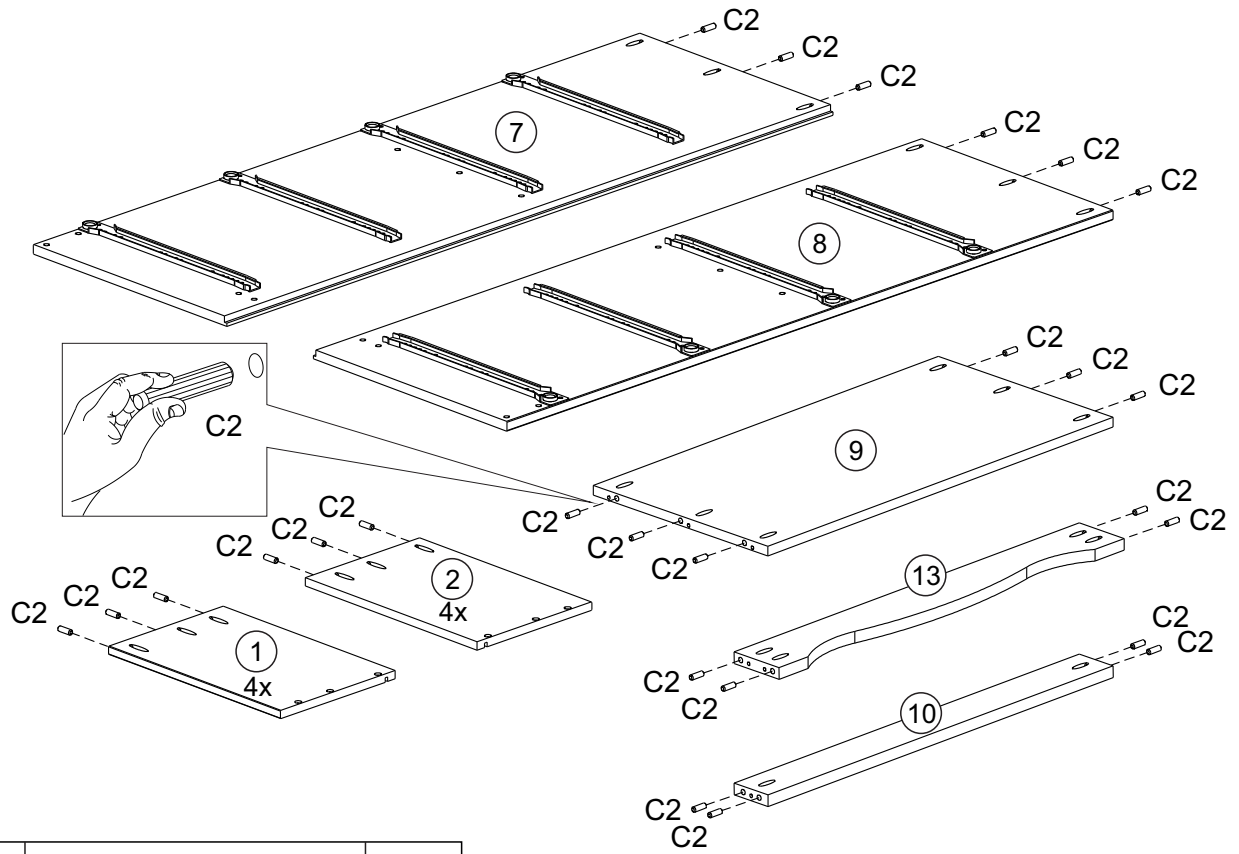
HARDWARE IS SHOWN IN ACTUAL SIZE


A1	 4,0x30	74
A4	 3,5x14	16
C2	 8,0x25	44
G1	 10x10	35

E1	 350mm - 13 3/4"	04
E2	 350mm - 13 3/4"	04
H1		08

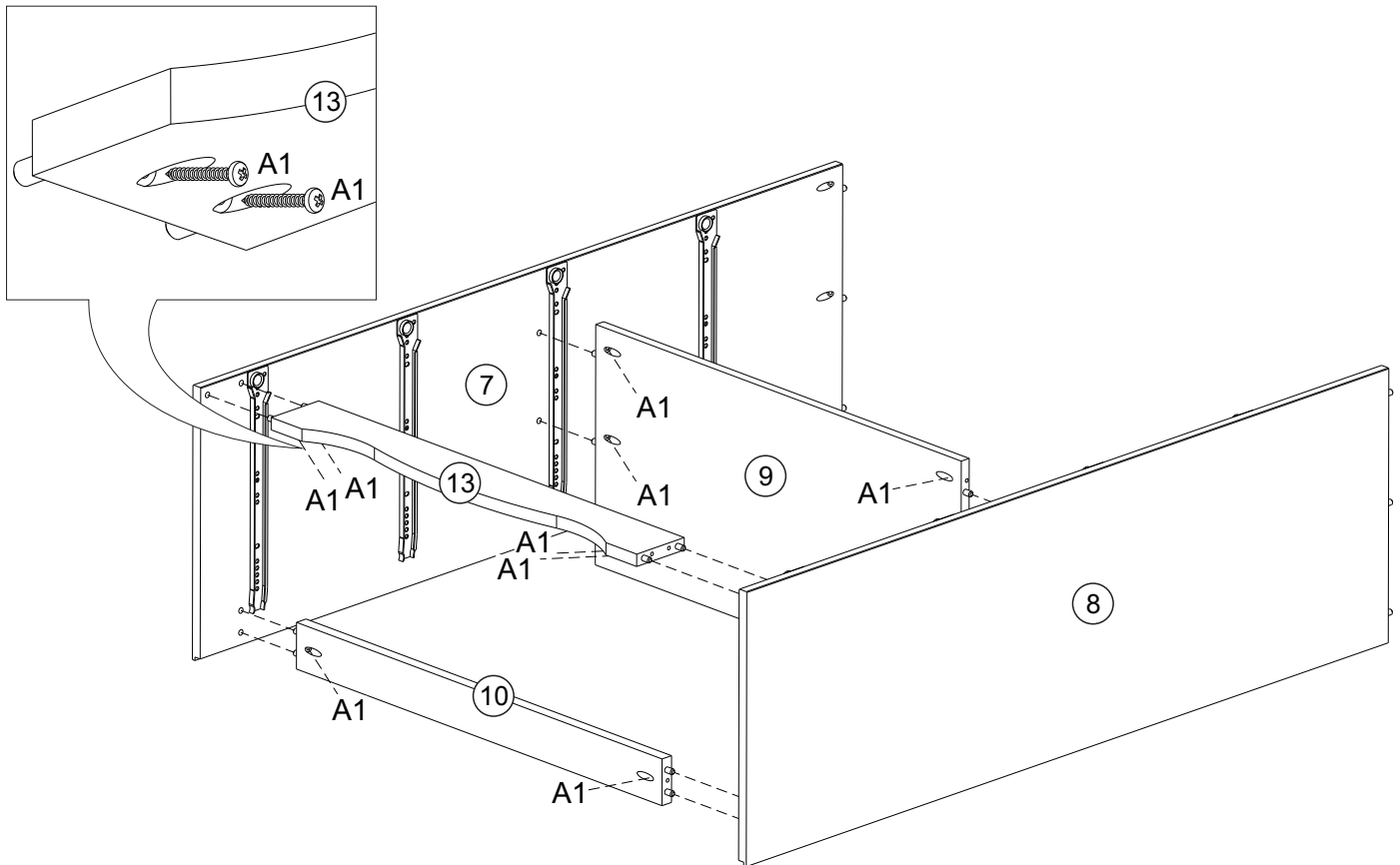



01)



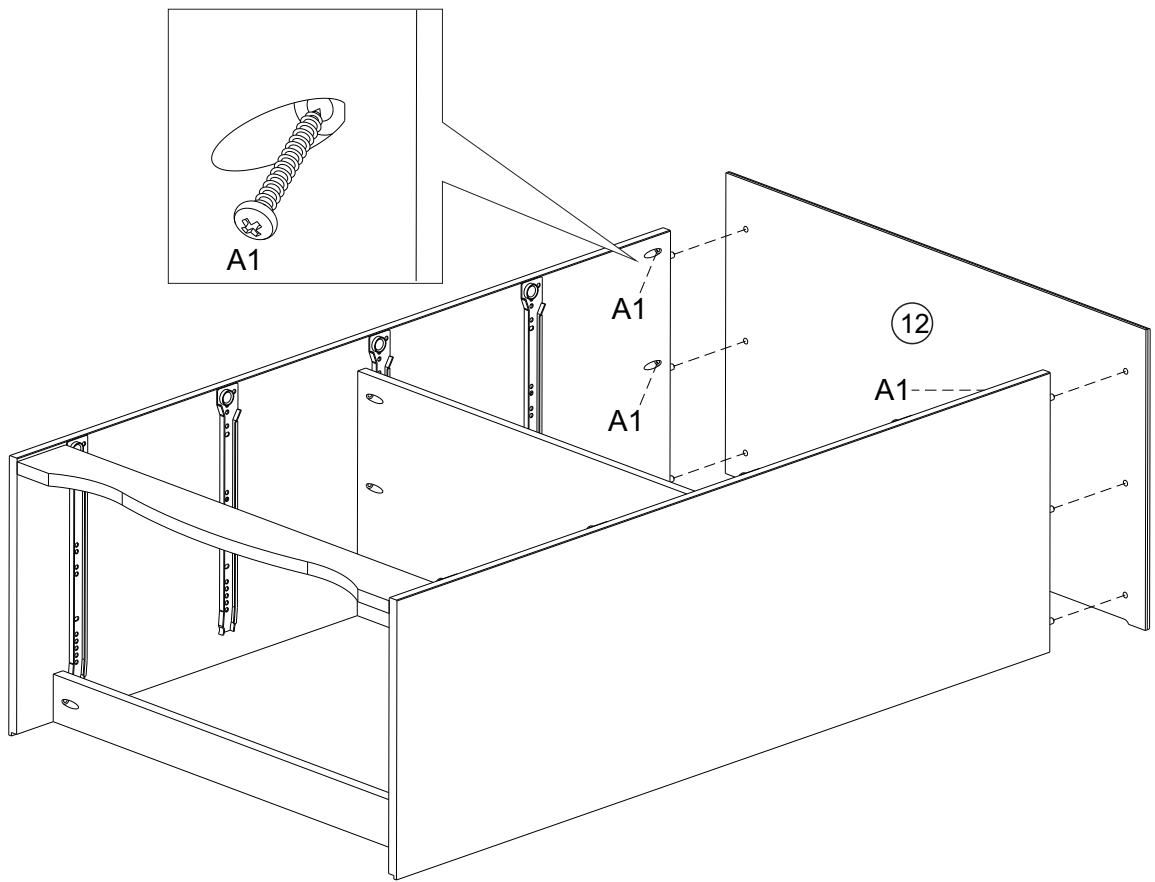
C2		44
	8,0x25	


02)



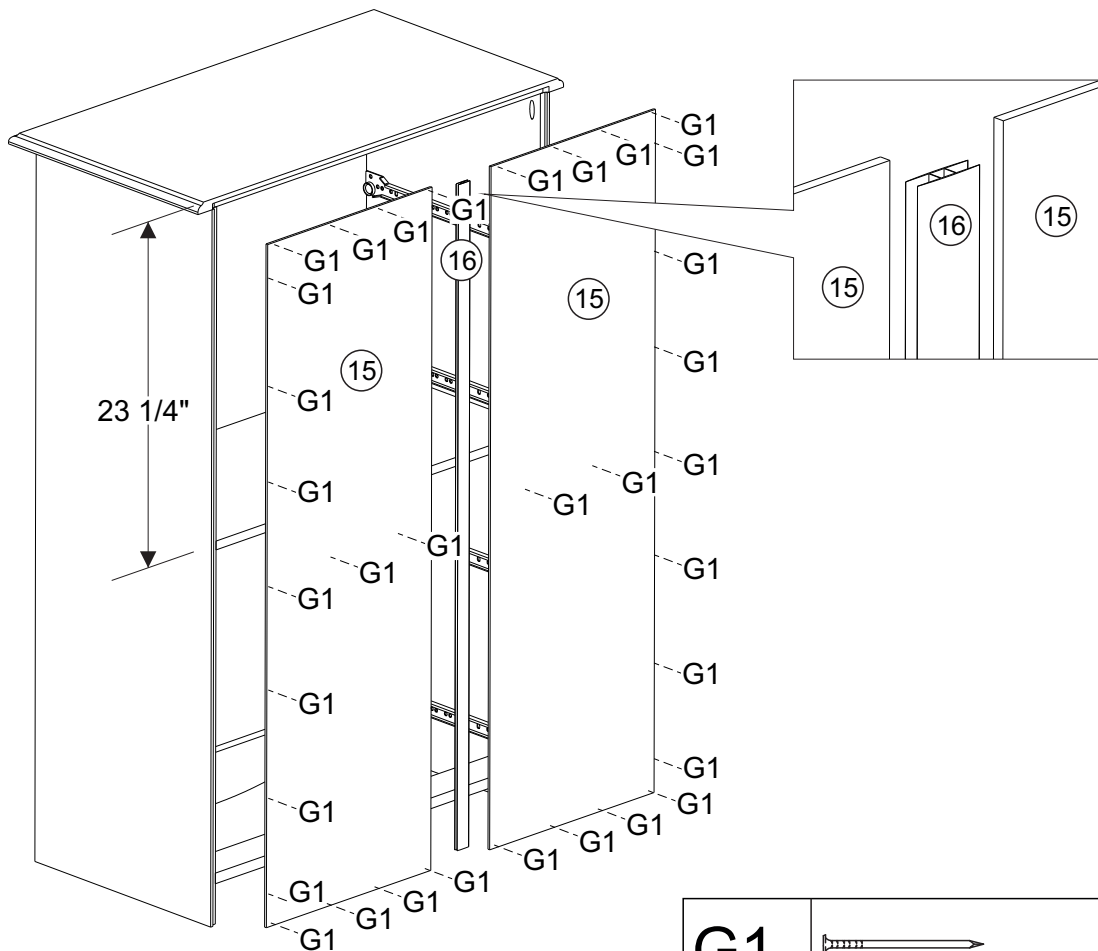
A1		12
	4,0x30	


03)



A1		4,0x30	06
----	---	--------	----

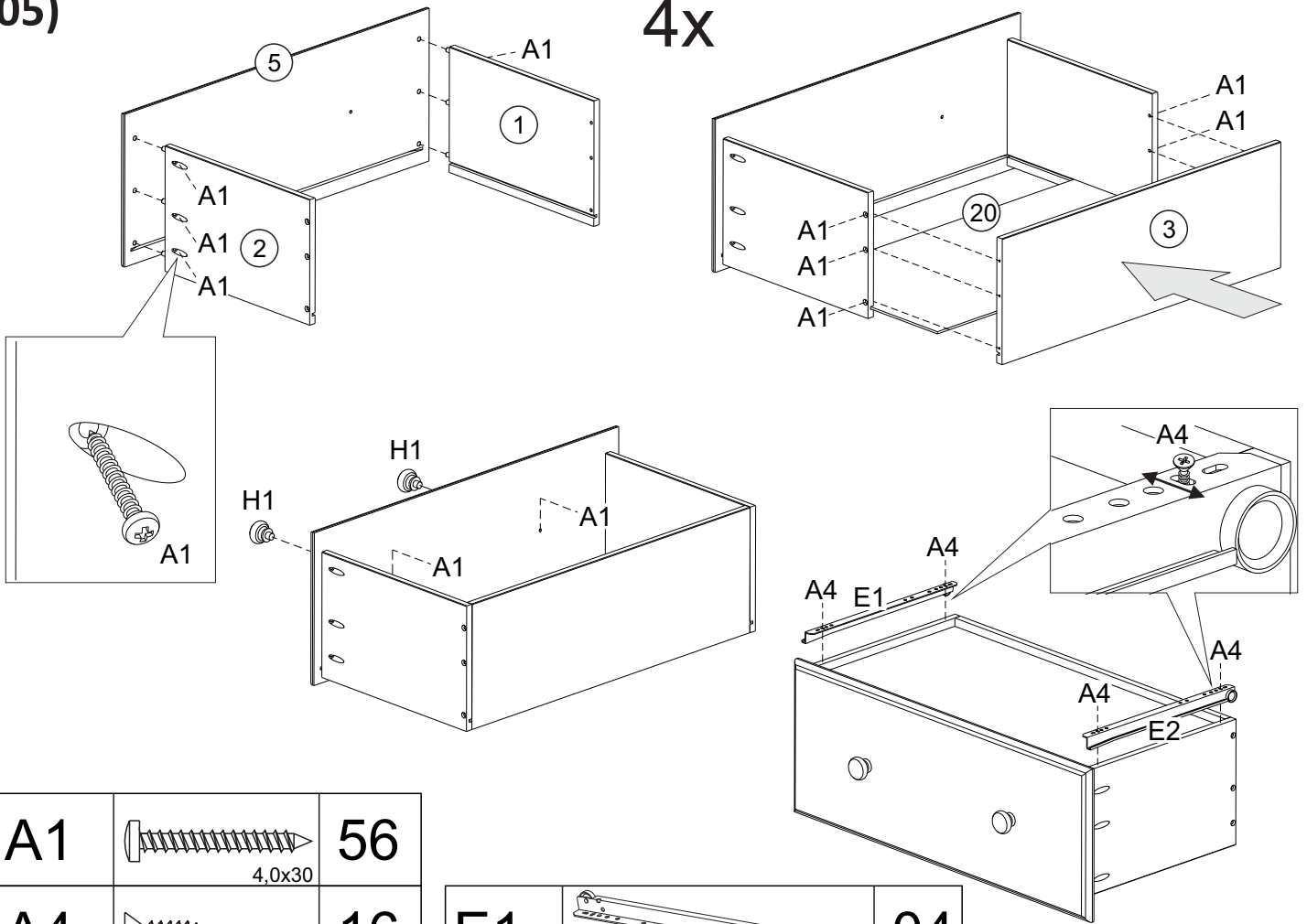
04)



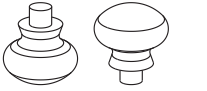


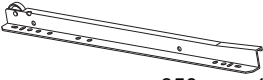
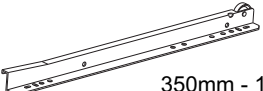
G1		10x10	35
----	---	-------	----

05)

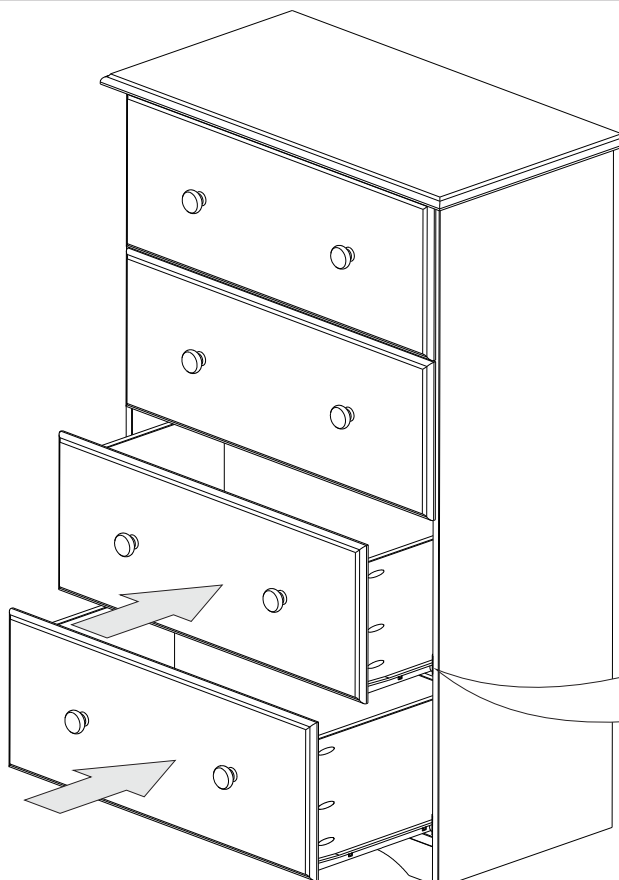
4x



A1	 4,0x30	56
A4	 3,5x14	16
H1		08

E1	 350mm - 13 3/4"	04
E2	 350mm - 13 3/4"	04

06)



If fine tuning on the glides is needed please follow the steps below

